

Video Mirror V3 Datasheet

ON-BOARD VIDEO MIRROR SYSTEM

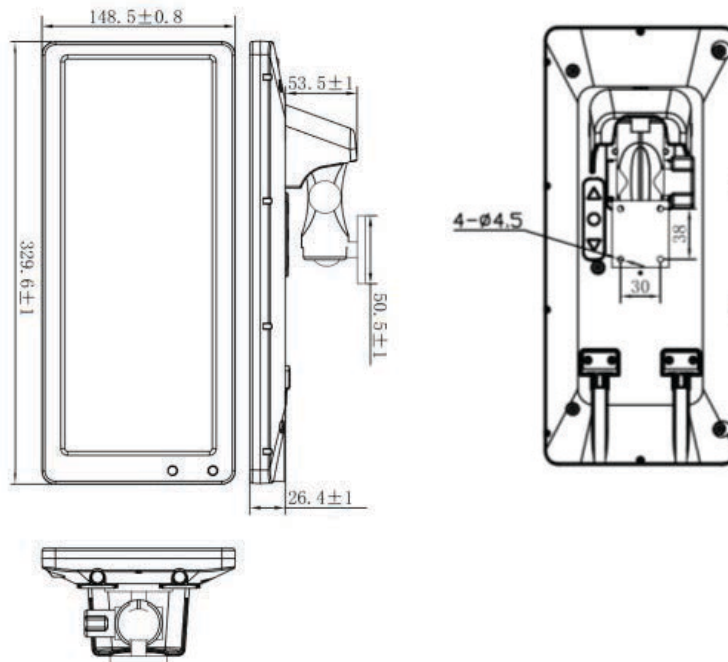


Technical Data



12.3" Digital AHD Monitor

| Product Information | |
|-----------------------|--|
| Display Size | 12.3" digital TFT LCD monitor |
| Viewing Angle | (H/V): 85° / 85° / 85° / 85° (CR > 10) |
| Brightness | 750 cd/m ² |
| Contrast Ratio | 1000:1 |
| Resolution | 1920 × 720 (RGB) |
| Video System | PAL / NTSC (Auto) |
| Video Input | AHD 720P |
| Power Supply | DC 12/24V |
| Power Consumption | ≤18W |
| Operating Temperature | -30°C to +85°C -22°F to +185°F |
| Storage Temperature | -40°C to +85°C -40°F to +185°F |



Properties relating to the goods contained in this document do not constitute the product specifications but typical values for purposes of description only.

May 2026

Video Mirror V3 Datasheet

ON-BOARD VIDEO MIRROR SYSTEM



Technical Data



CMS Camera Class-II + Class-IV

| Product Information | |
|-----------------------|----------------------------------|
| Image Sensor | 1/3" CMOS |
| Resolution | 1280 × 720 |
| Color System | PAL / NTSC |
| Field of View (FOV) | Based on ECE UN-R46 CMS |
| Video Output Format | AHD 720P, 25/30 FPS |
| Protection Rating | IP69K (dustproof & waterproof) |
| Power Supply | DC 12V |
| Minimum Illumination | 0.01 lux |
| Operating Temperature | -40°C to +85°C -40°F to +185°F |
| Storage Temperature | -40°C to +85°C -40°F to +185°F |

CMS Camera Class-V (Blind spot assist)

| Product Information | |
|-----------------------|----------------------------------|
| Image Sensor | 1/3" CMOS |
| Resolution | 1280 × 720 |
| Color System | PAL / NTSC |
| Field of View (FOV) | 190° (H) / 140° (V) |
| Video Output Format | AHD 720P, 25/30 FPS |
| Protection Rating | IP69K (dustproof & waterproof) |
| Power Supply | DC 12V |
| Minimum Illumination | 0.01 lux |
| Operating Temperature | -40°C to +85°C -40°F to +185°F |
| Storage Temperature | -40°C to +85°C -40°F to +185°F |

Properties relating to the goods contained in this document do not constitute the product specifications but typical values for purposes of description only.

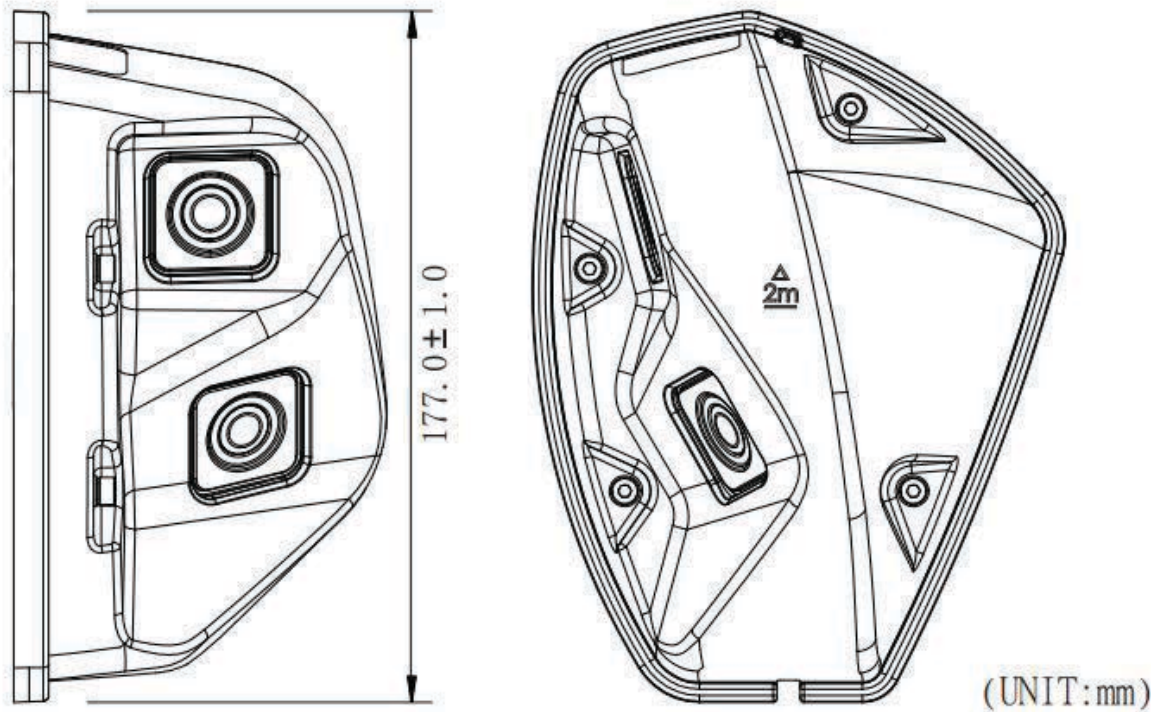
May 2026

Video Mirror V3 Datasheet

ON-BOARD VIDEO MIRROR SYSTEM



Technical Data



To find out more about Video Mirror please reach out to Richard Medina:
richard.medina@luminator.com | +1 702-677-5605

Properties relating to the goods contained in this document do not constitute the product specifications but typical values for purposes of description only.

May 2026